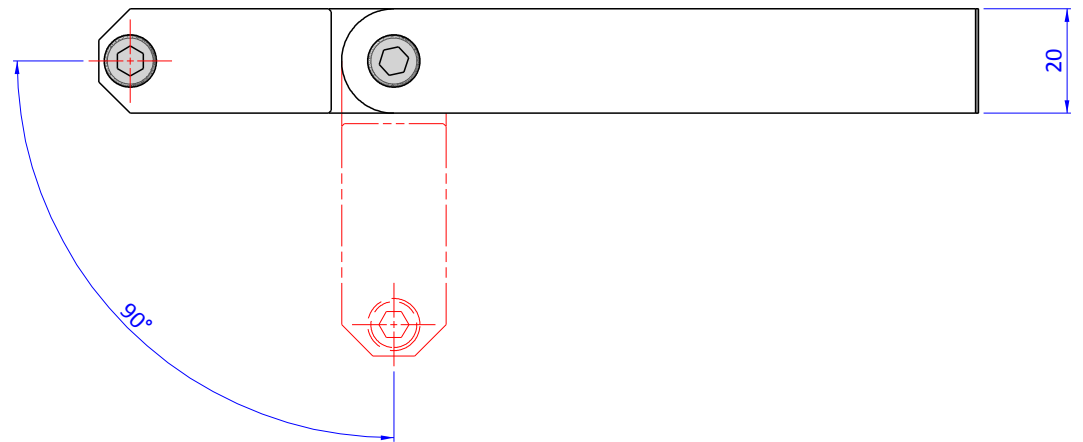
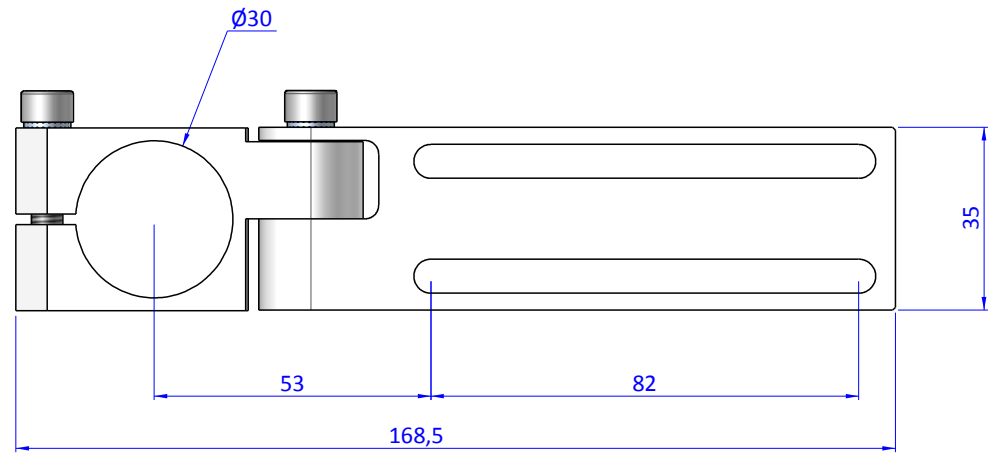
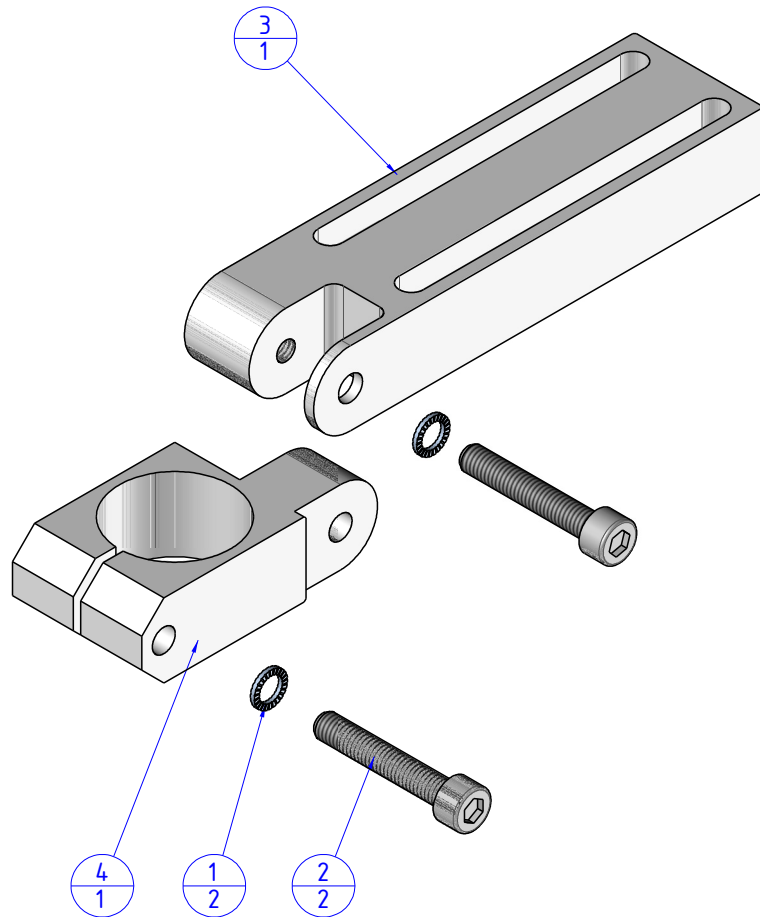


THE PROPERTY OF THE DRAWING IS ESTABLISHED BY LAW. IT IS FORBIDDEN TO PRODUCE OR SHOW IT TO THIRD PARTY, WITHOUT A WRITTEN AGREEMENT.

Item	Name	Q. ty
1	R.6.SCH	2
2	V.TCE6x35	2
3	WSL.GA.30.1	1
4	WSL.GA.30.2	1



Format A3

UNI 936-76

<b>FP SERVICES</b> AUTOMATION		DESIGNED FROM FPSERVICES	REVIEW A
GENERAL TOLERANCE UNI - ISO 2768 CLASSE f	DESCRIPTION CA.WSL.GA.30	DATE 16/11/2018	WEIGHT 0,225kg
		CODE CA.WSL.GA.30	CA.WSL.GA.30